

4

3

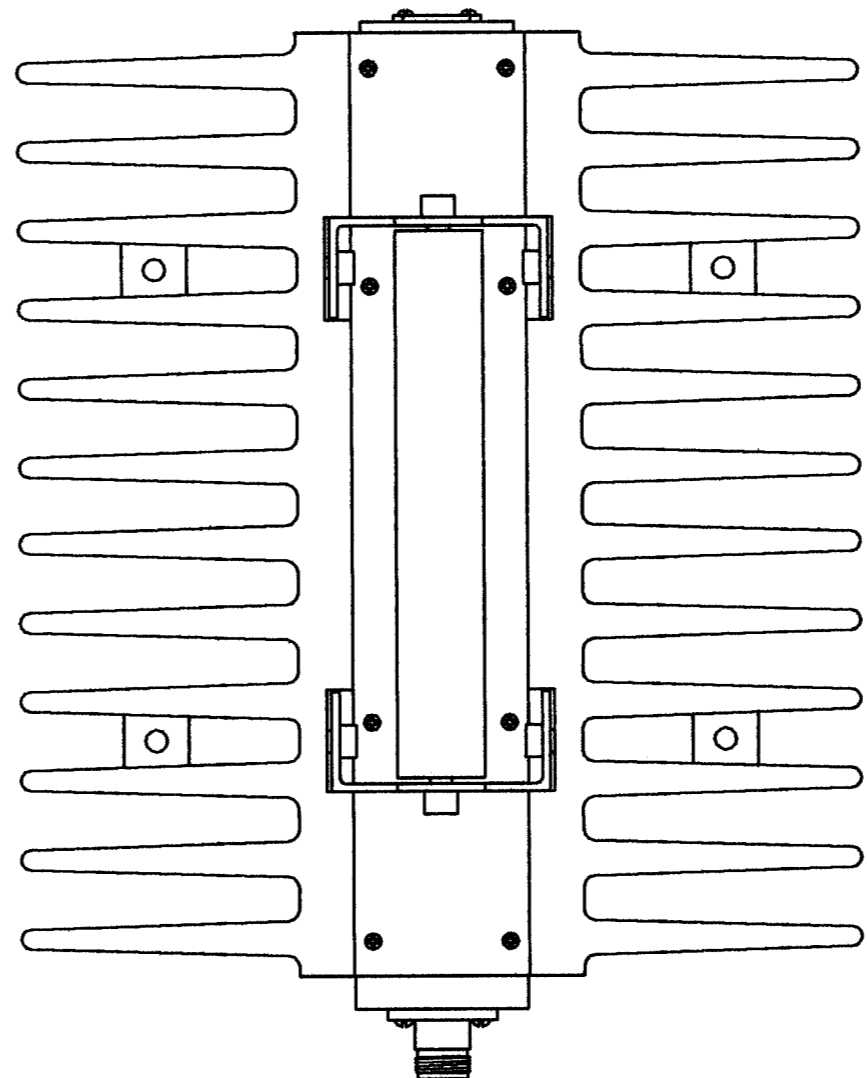
2

1

REVISIONS		DWG. NO.	600-T-QFN	SHEET	REV
ZONE	REV	DESCRIPTION	DATE	APPROVED	
	A	CONVERT TO BEC FORMAT	DMR 1-9-03	<i>MARCV</i>	

SPECIFICATIONS:
 POWER RATING: 600 WATTS AVG. AT 25°C. (UNI-DIRECTIONAL)
 DERATED LINEARLY TO 50 WATTS AT 125°C
 IMPEDANCE: 50 OHMS NOMINAL
 FREQUENCY RANGE: DC TO 2.4GHz
 VSWR: DC TO 1GHz AT 1.10:1 MAX.
 1GHz TO 2.4 GHz AT 1.25:1 MAX.
 AMBIENT TEMPERATURE: -40°C TO +40°C
 COOLING FIN: ALUMINUM, BLACK ANODIZED
 HEAT SPREADER: ALUMINUM, BLACK ANODIZED
 CONNECTOR: "QC" N-TYPE FEMALE
 OPERATING POSITION: AS SHOWN (VERTICALLY)
 NOMINAL SIZE: APPROX. 12.250" L X 9.38" H X 9.57" W
 WEIGHT: APPROX. 21.5 LBS

NOTE:
 ELECTRICAL SPECIFICATIONS FOR QC-EQUIPPED PRODUCTS
 ARE QUOTED WITH THE STANDARD CONNECTORS NORMALLY
 SUPPLIED WITH THE EQUIPMENT (N-TYPE FEMALE).



D

D

C

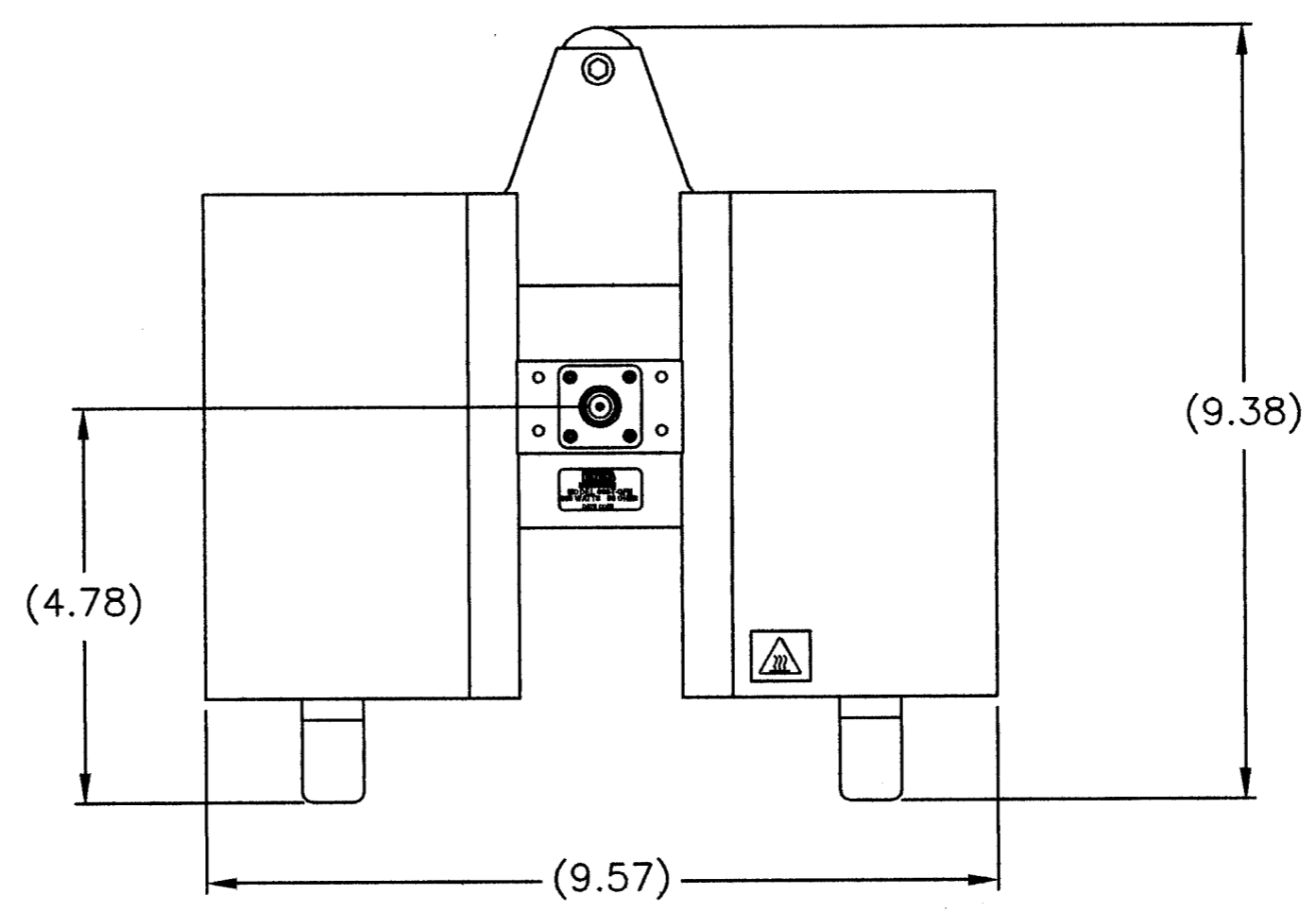
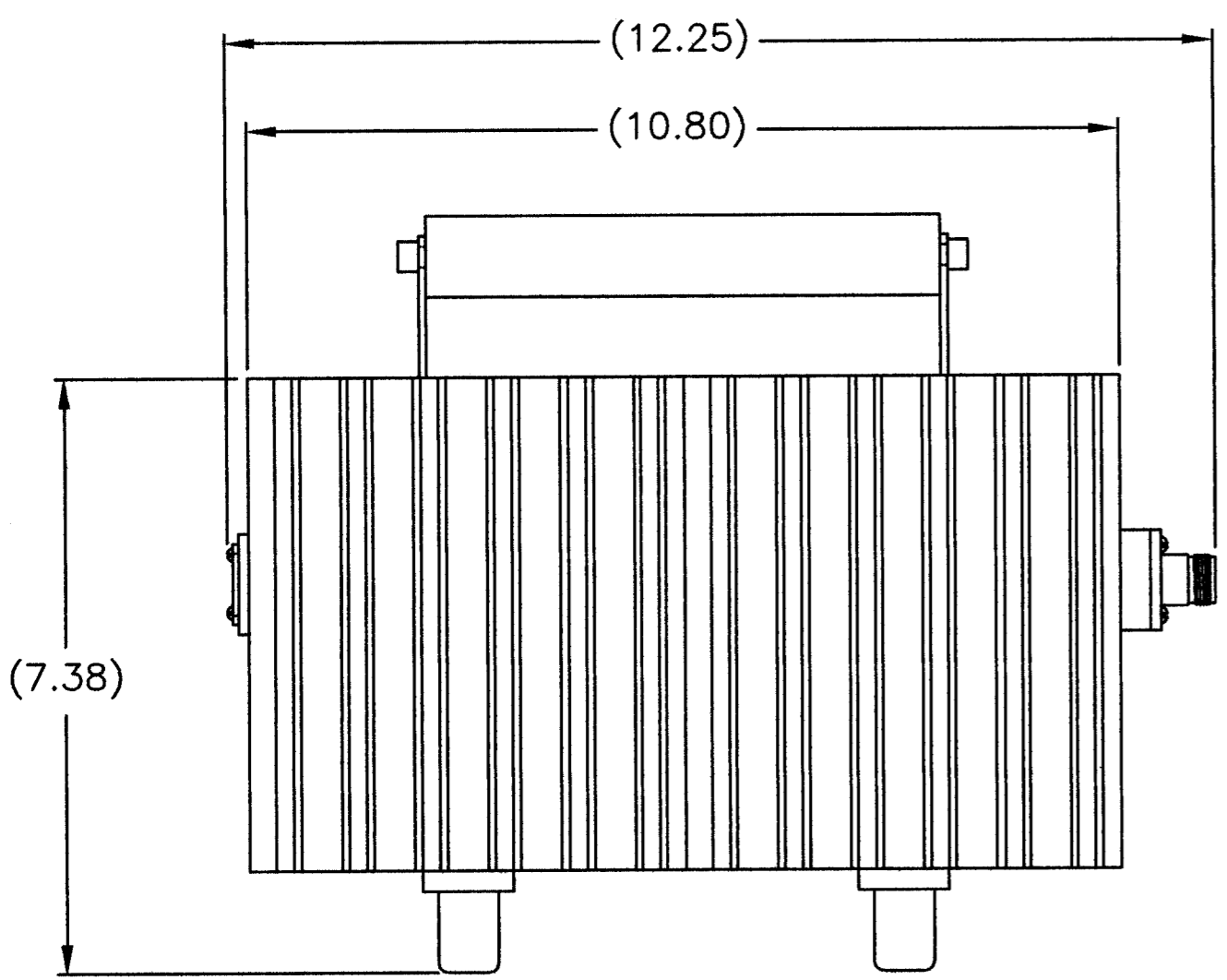
C

B


B

A

A



DIMENSIONS HEREON ARE FOR CUSTOMER
 CONVENIENCE AND REFERENCE ONLY.
 TOLERANCE TO BE APPLIED ONLY WHERE
 INDIVIDUALLY STATED ON THE RESPECTIVE
 DIMENSION. -DO NOT SCALE DRAWING-

UNLESS OTHERWISE SPECIFIED DIMENSIONS ARE IN INCHES TOLERANCES ARE: FRACTIONS DECIMALS ANGLES ± 1/64 .005 ± 30'	MILLIMETERS .X = ±.4 .XX = ±.12	THIS DRAWING IS THE PROPERTY OF THE BIRD ELECTRONIC CORPORATION. THE DESIGNS AND SPECIFICATIONS DISCLOSED HEREON ARE PROPRIETARY AND SHALL NOT BE REPRODUCED, NOR COPIED, NOR USED AS THE BASIS FOR THE MANUFACTURE OR SALE OF APPARATUS OR DEVICES WITHOUT THEIR EXPRESS WRITTEN CONSENT.		
DO NOT SCALE DRAWING		APPROVALS	DATE	TITLE
MATERIAL		DRAWN	1-9-03	TERMINATION, CONVECTION COOLED VERTICAL, "QC" N-TYPE FEMALE, 600W
FINISH		CHECKED		
		APPROVED	1-22-03	
			AUTOCAD	
		SCALE	1:1	
		COMM CODE	LD1	
		SHEET		1 OF 1
		SIZE	C	
		FSCM NO.	70998	
		DWG. NO.	600-T-QFN	REV A

4

3

2

1